



Visual protection



A system solution for the visual safeguarding of accident scenes, a crime scene or other events where victims need to be protected from onlookers.

Wind-resistant, practical, quick and simple: our Triopan visual protection!

Content

The innovative Triopan visual protection

3 models

The privacy screens

Accessories and spare parts

Operating instructions





The innovative Triopan visual protection

The Triopan visual protection can be quickly erected for assistance, when changing the clothes of the emergency forces or when filming a crime scene. A scissor-type tensioning mechanism allows for easy and simple stretching of the screen. Weatherproof, opaque and wind-permeable: 3 good arguments in favour of our privacy protection tarpaulin - built on an innovative MESH fabric. The telescopic poles are connected to the feet via elastic spiral with the feet and thus allow for flexible yielding, even in strong winds. Fold-out feet with holders for foam concentrate canisters or hoses increase the stability. Our standard screen can be erected within 60 seconds. The delivery also includes a handy transport rucksack with carrying handles on the sides.

To increase stability, the feet should be weighted the feet with weights (e.g. canisters of foam concentrate canisters or hoses) recommended.

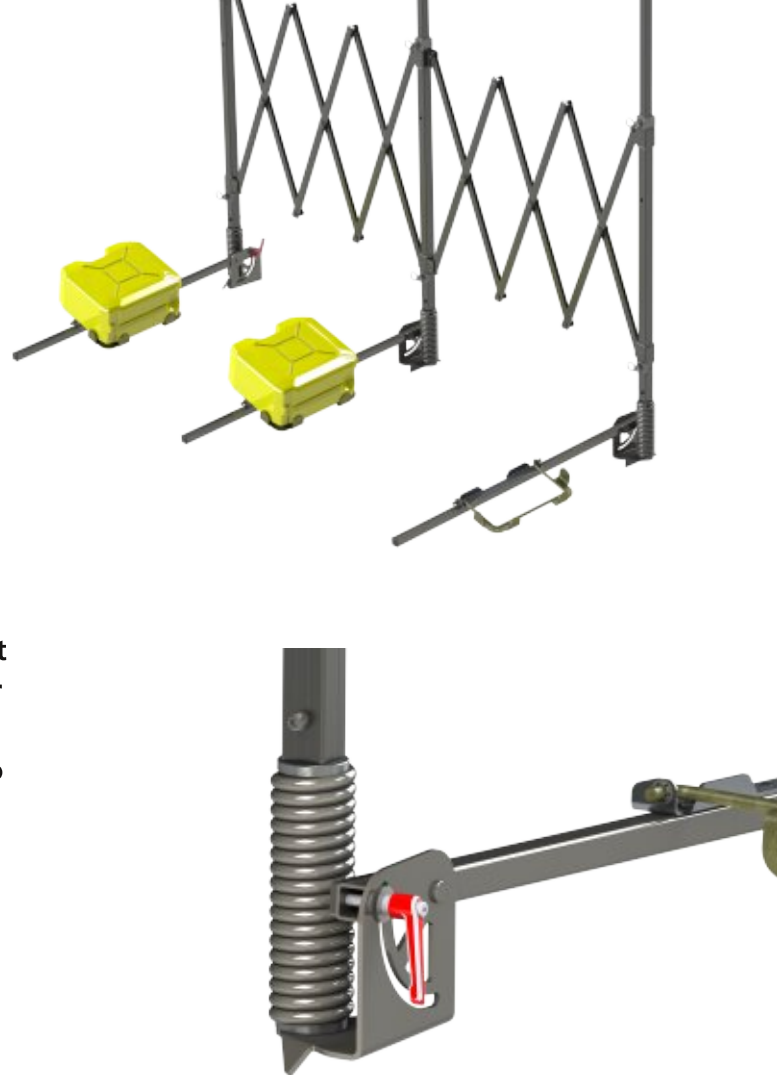
YOUR added value:

- Set up in less than 60 seconds
- Extremely high-quality construction: very wind resistant due to spring system, intelligent weighting system and anchoring possibility in the ground
- Optimum protection from gawpers thanks to innovative tarpaulin, dirt-resistant quick-release fasteners
- Very handy operation (with gloves!) due to scissor system, folding legs and adjustable leg angles: see for yourself in the video!



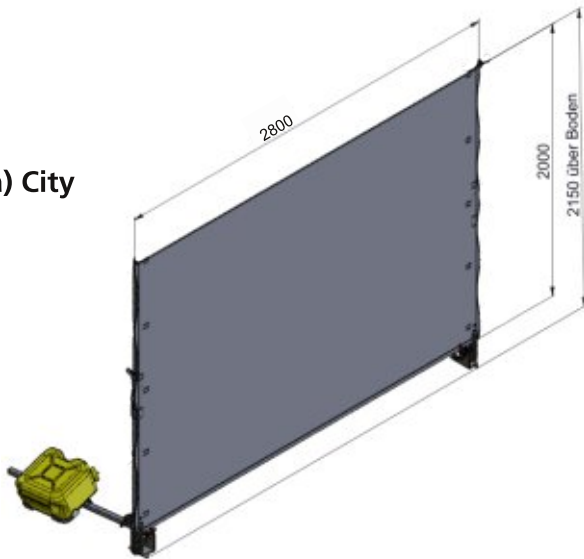
QR code to the video:

!

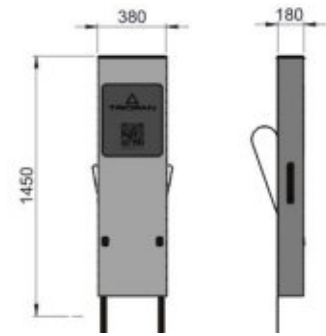


3 models

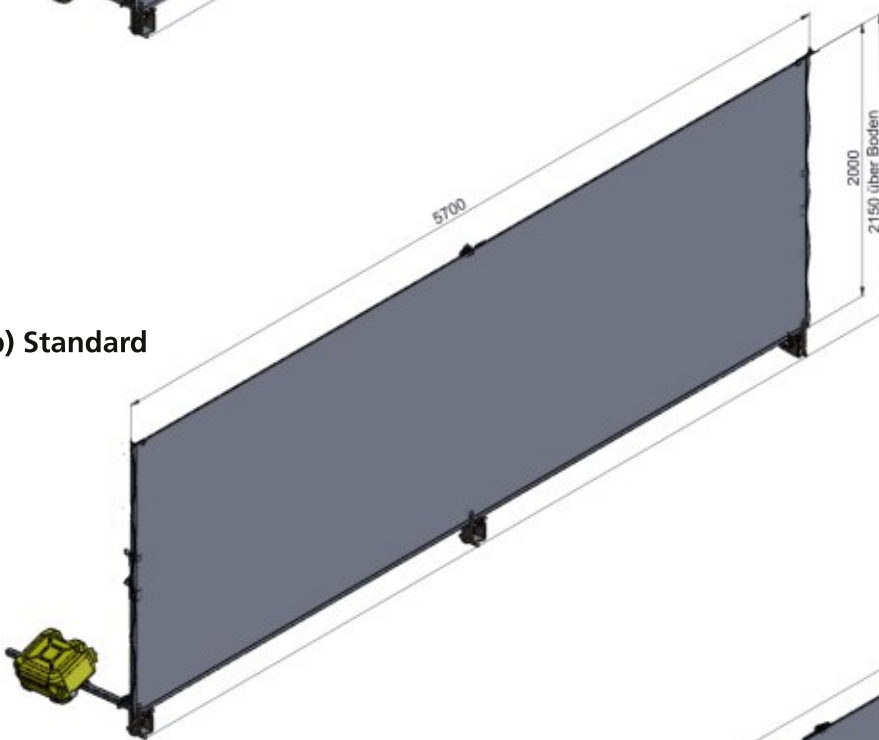
a) City



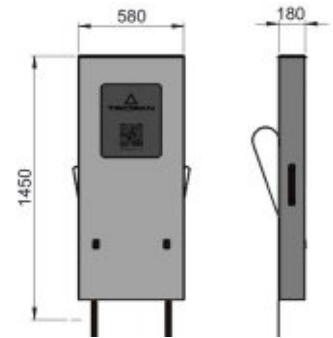
Packmass:



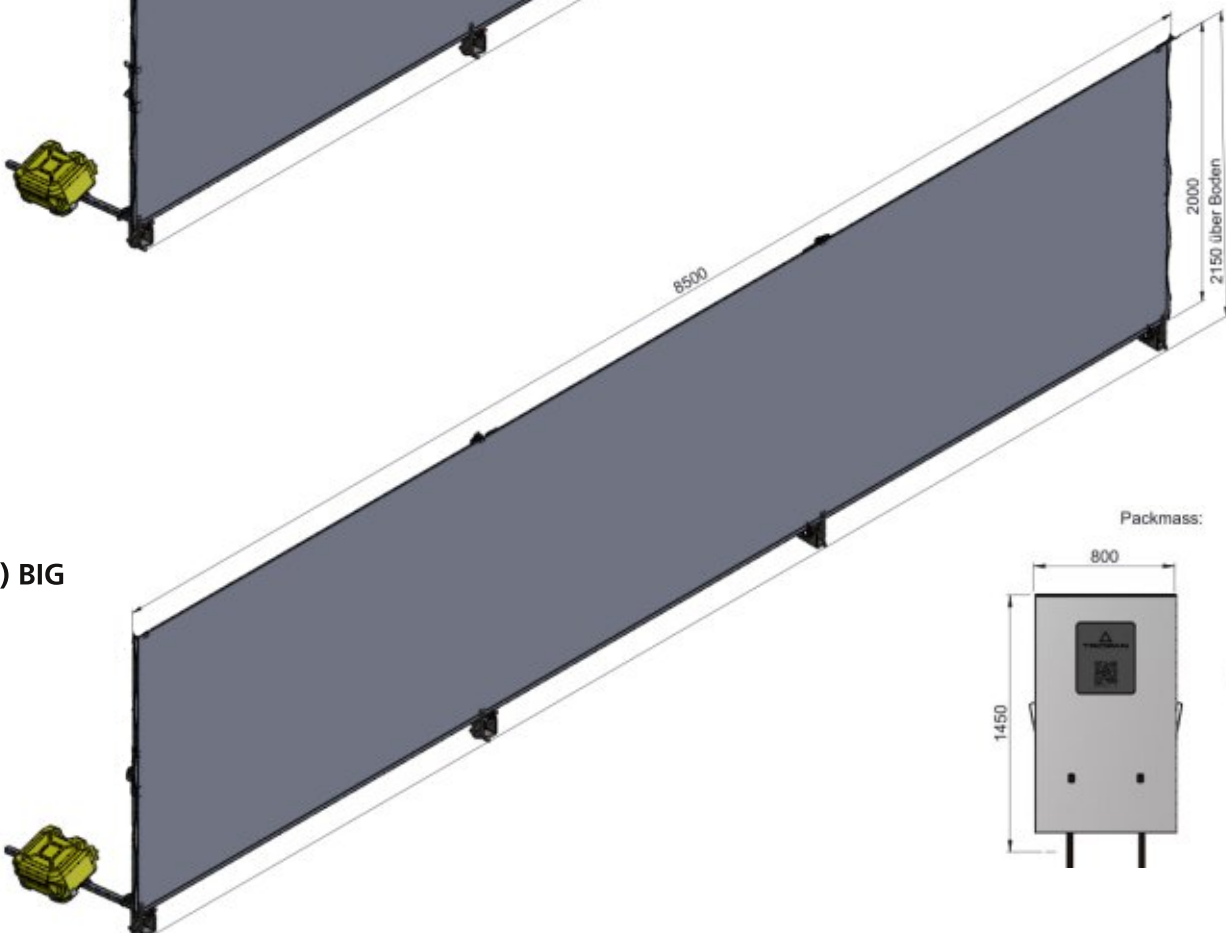
b) Standard



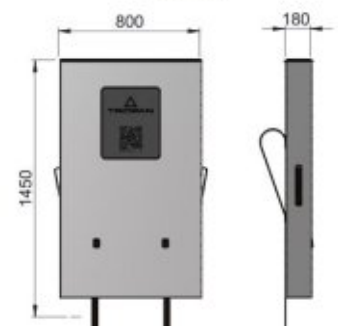
Packmass:



c) BIG



Packmass:





The privacy screen

The Triopan visual protection is available in the following two versions:

1. Unprinted protective cover
2. Digitally printed protective cover with e.g. Symbol „form emergency lanes in traffic jams“

YOUR added value of our privacy screens

- Innovative fabric, which offers an optimal mixture between privacy and wind permeability
- Printability of the privacy covers
- The privacy covers can be easily removed and are washable at 40 degrees washable



Accessories and spare parts

In order to make the visual protection clearly visible at night, warning lights can be attached to the top of the posts. Available on www.triopanshop.ch

Lampenhalter zu Sichtschutz
Material: Aluminium gedreht
Durchmesser Zapfen: \varnothing 13mm

Spare parts:
Any components or mounted assemblies can be ordered on request. Please contact us at info@triofan.ch

Matching warning lights:

Triopan Fireball
Light class: L2H
According to EN 12352

Triopan Helios Blaze
Light class: L8L
According to EN 12352

Art.no: 335.202

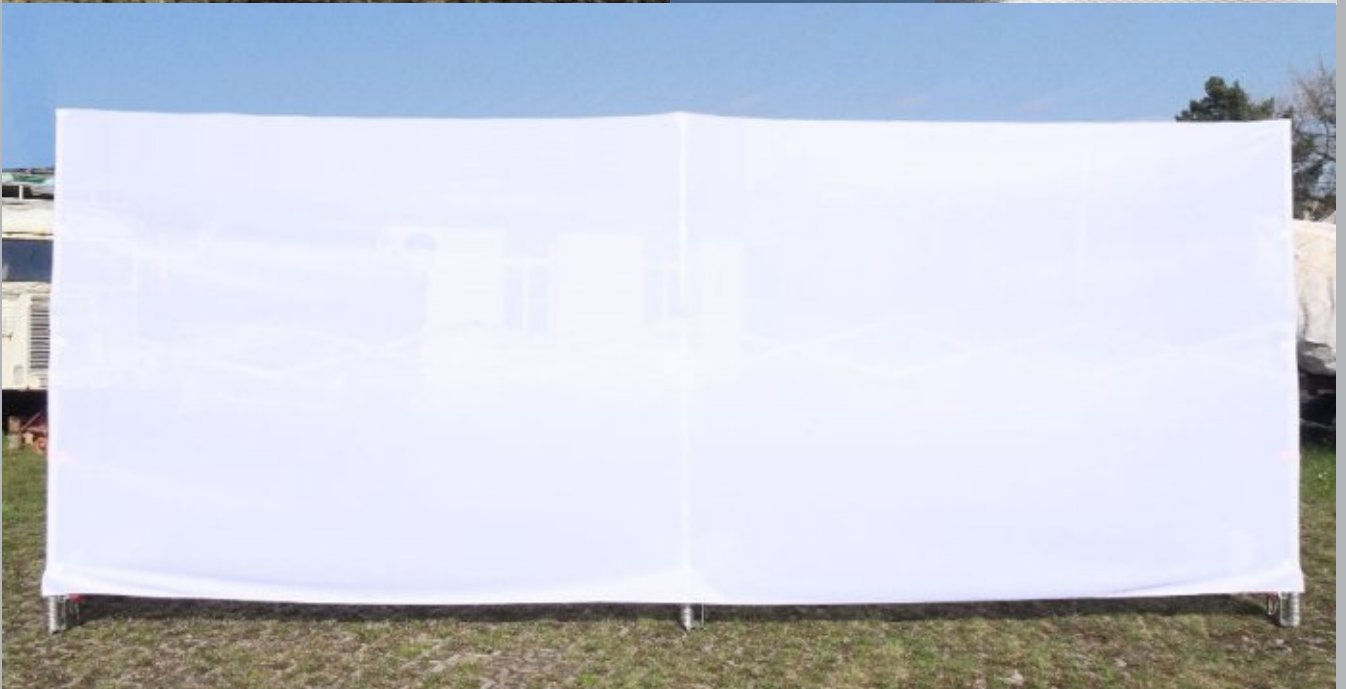
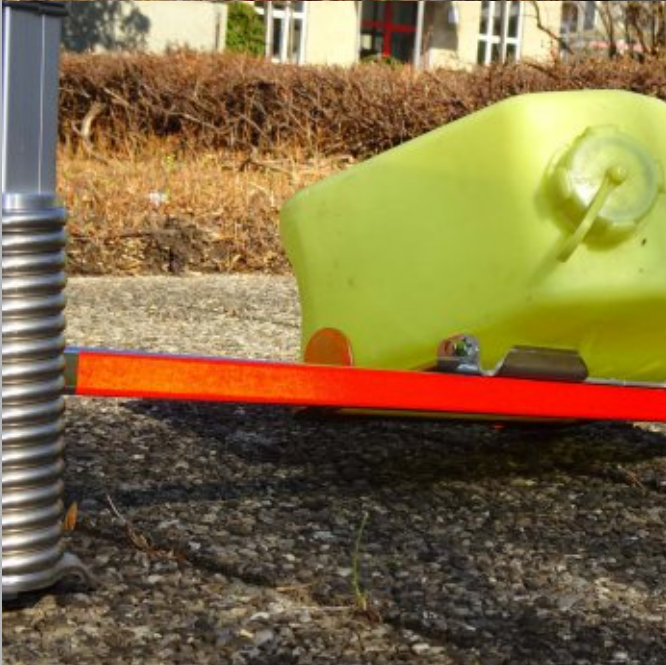


Art.no: 777.900



Art.no: 777.807





Operating instructions Triopan visual protection:

- Before use, the staff should practise the start-up. To do this, scan the QR code on the carrying bag in advance and watch the complete operating video.
- When dismantling, always loosen the bright orange velcro straps first.
- The visual protection can be set up by a single person, but we recommend two people.
- The 5.7m and 8.5m visual protections weigh over 25kg, and therefore should be transported by two people.
- Do not leave the visual protection unattended.
- In strong wind conditions, the visual protection should be erected or dismantled with four people. Once the legs are correctly weighted, one person is sufficient to supervise the protection screen.
- At night and at dusk, Triopan warning lights (e.g. Triopan Fireball) should be placed on the outer posts.



<https://qr5.triopan.ch>

Danger warnings, in case of improper operation

- Danger due to fingers getting caught on the scissor grid.
- Danger of tripping over the sight protection legs. In addition, the legs can be equipped with reflective adhesive.
- The visual protection must not be placed closer than 2.5m to traffic in strong wind conditions. A safety distance of 2.5m must be maintained as the wind may tilt the screen.

Service and maintenance

- The visual protection including tarpaulin and bag may be cleaned with an appropriate water jet as well as with a sponge and soap. Otherwise, the product is maintenance-free.
- Various spare parts are available from Triopan. Assembly may only be carried out by appropriately trained personnel.

Liability disclaimer

- The manufacturer Triopan AG accepts no liability for any damage caused by the visual protection or its accessories.
- Damage to the product caused by storm or improper operation is not covered by the warranty.

Triopan AG
Morgental 653
CH-9323 Steinach
Tel. +41 71 844 16 16
info@triopan.ch
www.triopan.ch